

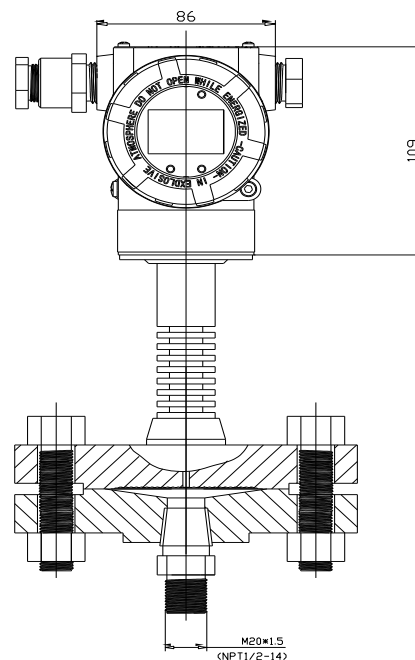
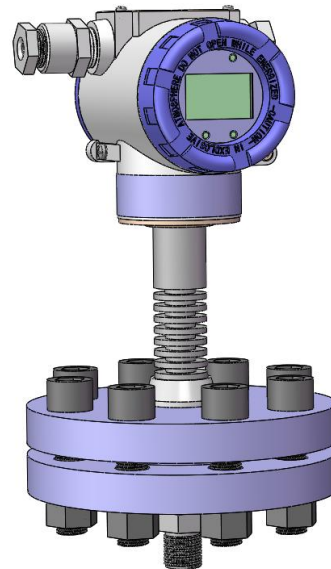
SMT3151FTLT flange threaded liquid level (pressure) transmitter

Description

SMT3151FTLT flange thread is a [liquid level \(pressure\) transmitter](#) is a kind of transmitter used under special working conditions. It is suitable for measuring working conditions with high pressure and high pressure resistance. It is a pressure signal measured at atmospheric pressure as a reference. The pressure signal can also reflect the height of the liquid. One port is the pipe thread (or other connection method) and the process pipe connection.

Working principle:

Based on the ordinary pressure transmitter, an isolation diaphragm is added to measure the wetted part. It is mainly used to measure high temperature, easy to solidify or crystallize, corrosive or other necessary media. The basic measuring components are the same as the technical performance and technical specifications of the 3151T pressure transmitter. After adding the remote transmission device, there will be a small amount of measurement accuracy. If the pressure is slower and the pressure is lower, pay attention to the installation position to ensure that the measured pressure is within the measurement range of the basic measuring component



SM3151FTLT

SMT3151FTLT flange threaded liquid level (pressure) transmitter selection specification sheet

Model	Transmitter type	
3151FTLT	Flange threaded liquid level (pressure) transmitter	
Code	Scale range	
2	0-20~100kPa(0-2000~10000mmH ₂ O)	
3	0-70~350kPa(0-7~35mH ₂ O)	
4	0-200~1000kPa(0-20~100mH ₂ O)	
5	0-700~3500kPa(0-70~350mH ₂ O)	
Code	Output form	
E	Linear output 4-20mA _{dc}	
SF	Linear output 4-20mA _{dc} +HART signal, Full function buttons on site	
F	MODBUS-485 signal	
Code	Process connection size	
A1	1/2NPT-14 (Internal thread)	
A2	M20×1.5 (External thread)	
A3	Custom thread specifications	
Code	Measuring diaphragm	Flange and wetted parts
A	316 Stainless steel	316L
B	Hastelloy C	316L
C	Monel	316L
D	Tantalum	316L
Code	Filling liquid	
D	Ordinary silicone oil (-40~104℃)	
F	High temperature silicone oil (-40~304℃)	
S	Inert liquid (-40~204℃)	
Code	Shell material	Conduit inlet dimensions
A	Low copper aluminum alloy polyurethane coating	M20×1.5
B	Low copper aluminum alloy polyurethane coating	1/2-14 NPT
C	Stainless steel	M20×1.5
D	Stainless steel	1/2-14 NPT
Code	Optional parts	

Sino-Instrument

Automated Instrument Supplier, CHINA

M1	0~100% Linear indicator
M4	LCD multi-function digital display
Da	Flameproof ExdIIBT5Gb;(explosion-proof certificate No. : CE16.1163)
Fa	Intrinsically safe ExiaIICT4 / T5 / T6Ga;(explosion-proof certificate No. : CE15.2354X)
Gd	Gold plated diaphragm
T	Diaphragm thickening
F4	Membrane sprayed with PTFE

Selection example: 3151 FTLT3SFA1ADAM4 0~100kPa

<https://www.drurylandetheatre.com> Email: huahengxa@gmail.com

Mob: +86-180-4861-3163 www.drurylandetheatre.com