

SMT3151TLT

Direct-mounted level (pressure) transmitter

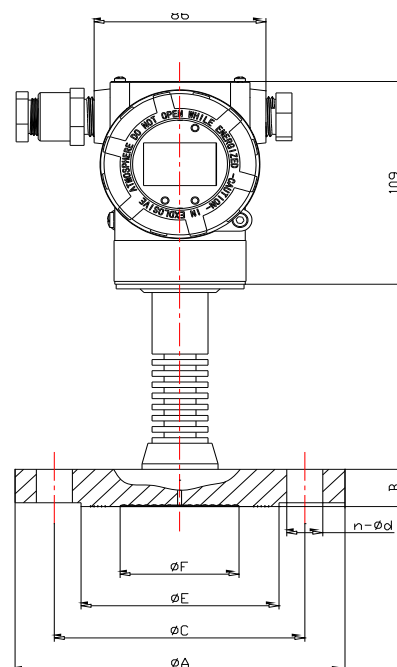
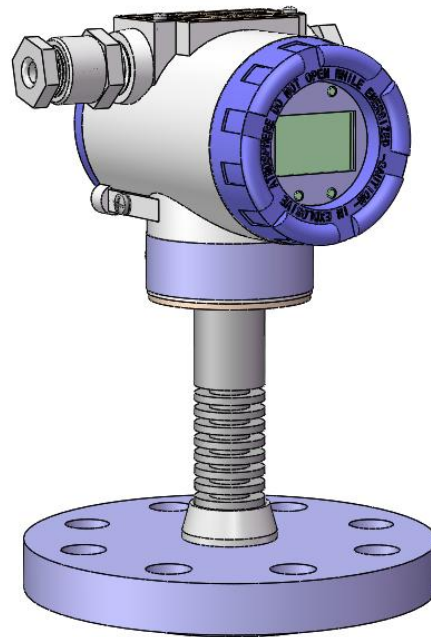
Description

The SMT3151TLT direct-load level (pressure) transmitter is an economical version of the SMT3151LT. It is suitable for measuring high pressure conditions. The pressure is very small. Consider using the SMT3151LT. It is a pressure signal measured at atmospheric pressure as a reference. The pressure signal can also reflect the height of the liquid. There is a port for the flange (or other connection method) and the process pipe connection.

Working principle

Based on the ordinary pressure transmitter, an isolation diaphragm is added to measure the wetted part. Mainly used for measuring high temperature, easy to solidify or crystallize, containing solid suspended solids, too viscous, corrosive or other media that need to maintain hygienic conditions, can not be contaminated, the basic measuring components and technical performance and technology of 3151T pressure transmitter The index is the same. After adding the remote

transmission device, there will be a small decrease in the measurement accuracy, and the reaction speed will be slow. When the pressure is relatively small, the installation position should be paid attention to ensure that the measured pressure is within the measurement range of the basic measuring component.



Sino-Instrument

Automated Instrument Supplier, CHINA

3151TLT Flange Specification Form

The commonly used flange flush specifications are as follows:

DN50 (2") flange size specification sheet

Flange standard	B	C	E	A	Number of bolts n	Bolt aperture
150LB	150	120	95	19	4	18
300LB	165	127	95	20	8	18
600LB	165	127	95	32	8	18
900LB	215	165	95	45	8	26
PN1.6/1.0	165	125	95	18	4	18
PN2.5/4.0	165	125	95	20	4	18
PN6.4	180	135	95	26	4	22

DN80(3") flange size specification sheet

Flange standard	B	C	E	A	Number of bolts n	Bolt aperture
150LB	190	152	124	20	4	18
300LB	210	168	124	25	8	22
600LB	210	168	124	38	8	22
900LB	240	191	124	54	8	26
PN1.6/1.0	200	160	124	20	8	18
PN2.5/4.0	200	160	124	24	8	18
PN6.4	215	170	124	28	8	22

DN100(4") flange size specification sheet

Flange standard	B	C	E	A	Number of bolts n	Bolt aperture
150LB	230	190	155	24	4	18
300LB	255	200	155	32	8	22
600LB	275	215	155	45	8	26
900LB	290	235	155	50	8	33
PN1.6/1.0	200	180	155	20	8	18
PN2.5/4.0	200	190	155	24	8	22
PN6.4	215	200	155	28	8	26

DN40 flange size specification sheet

Flange standard	B	C	E	A	Number of bolts n	Bolt aperture
PN1.6/2.5	150	110	84	18	4	18
PN2.5/4.0	150	110	84	18	4	18

Sino-Instrument

Automated Instrument Supplier, CHINA

PN6.4	170	125	89	26	4	22
-------	-----	-----	----	----	---	----

Common flange insertion barrel specifications are as follows:

DN50(2") flange size specification sheet

Flange standard	B	C	E	F	A	Number of bolts n	Bolt aperture
150LB	150	120	95	48	19	4	18
300LB	165	127	95	48	20	8	18
600LB	165	127	95	48	32	8	18
900LB	215	165	95	48	45	8	26
PN1.6/1.0	165	125	95	48	18	4	18
PN2.5/4.0	165	125	95	48	20	4	18
PN6.4	180	135	95	48	26	4	22

DN80(3") flange size specification sheet

Flange standard	B	C	E	F	A	Number of bolts n	Bolt aperture
150LB	190	152	124	74	20	4	18
300LB	210	168	124	74	25	8	22
600LB	210	168	124	74	38	8	22
900LB	240	191	124	74	54	8	26
PN1.6/1.0	200	160	124	74	20	8	18
PN2.5/4.0	200	160	124	74	24	8	18
PN6.4	215	170	124	74	28	8	22

DN100(4") flange size specification sheet

Flange standard	B	C	E	F	A	Number of bolts n	Bolt aperture
150LB	230	190	155	89	24	4	18
300LB	255	200	155	89	32	8	22
600LB	275	215	155	89	45	8	26
900LB	290	235	155	89	50	8	33
PN1.6/1.0	200	180	155	89	20	8	18
PN2.5/4.0	200	190	155	89	24	8	22
PN6.4	215	200	155	89	28	8	26

Sino-Instrument

Automated Instrument Supplier, CHINA

SM3151TLT

Straight flange type liquid level (pressure) transmitter selection specification sheet

Model	Transmitter type	
3151TLT	Flange level transmitter	
Code	Scale range	
2	0-20~100kPa(0-2000~10000mmH ₂ O)	
3	0-70~350kPa(0-7~35mH ₂ O)	
4	0-200~1000kPa(0-20~100mH ₂ O)	
5	0-700~3500kPa(0-70~350mH ₂ O)	
Code	Output form	
E	Linear output 4-20mA _{dc}	
SF	Linear output 4-20mA _{dc} +HART signal, Full function buttons on site	
F	MODBUS-485 signal	
Code	Flange standard (high pressure side flange)	
A	ANSI American Standard (HG20615)	
D	DIN European standard (HG20592)	
Code	Process connection size	
	ANSI American Standard (HG20615)	DIN European standard (HG20592)
25	1"	DN25
40	1.5"	DN40
50	2"	DN50
80	3"	DN80
00	4"	DN100
Code	Process connection withstand voltage rating	
	ANSI American Standard (HG20615)	DIN European standard (HG20592)
A	150LB	PN16/25
B	300LB	PN40
C	600LB	PN64
D	900LB	PN100
Code	Measuring diaphragm	
A	316 Stainless steel	
B	Hastelloy C	
C	Monel	
D	Tantalum	
E	Titanium	

<https://www.drurylandetheatre.com> Email: huahengxa@gmail.com

Mob: +86-180-4861-3163 www.drurylandetheatre.com

Sino-Instrument

Automated Instrument Supplier, CHINA

F	Special requirements	
Code	Insert barrel length	Insert barrel material
A	0 mm	None
B	50 mm	316L Stainless steel
C	150 mm	316L Stainless steel
D	200 mm	316L Stainless steel
Code	Filling liquid	
D	Ordinary silicone oil (-40~104℃)	
F	High temperature silicone oil (-40~304℃)	
S	Inert liquid (-40~204℃)	
Code	Shell material	Conduit inlet dimensions
A	Low copper aluminum alloy polyurethane coating	M20×1.5
B	Low copper aluminum alloy polyurethane coating	1/2-14 NPT
C	Stainless steel	M20×1.5
D	Stainless steel	1/2-14 NPT
Code	Optional parts	
M1	0~100% Linear indicator	
M4	LCD Multi-function digital display	
Da	Flameproof ExdIIBT5Gb;(explosion-proof certificate No. : CE16.1163)	
Fa	Intrinsically safe ExiaIICT4 / T5 / T6Ga;(explosion-proof certificate No. : CE15.2354X)	
CX	With corresponding 316 flushing ring	

Selection example: 3151TLT4SFA50AAA22AM4Da 0~20kPa